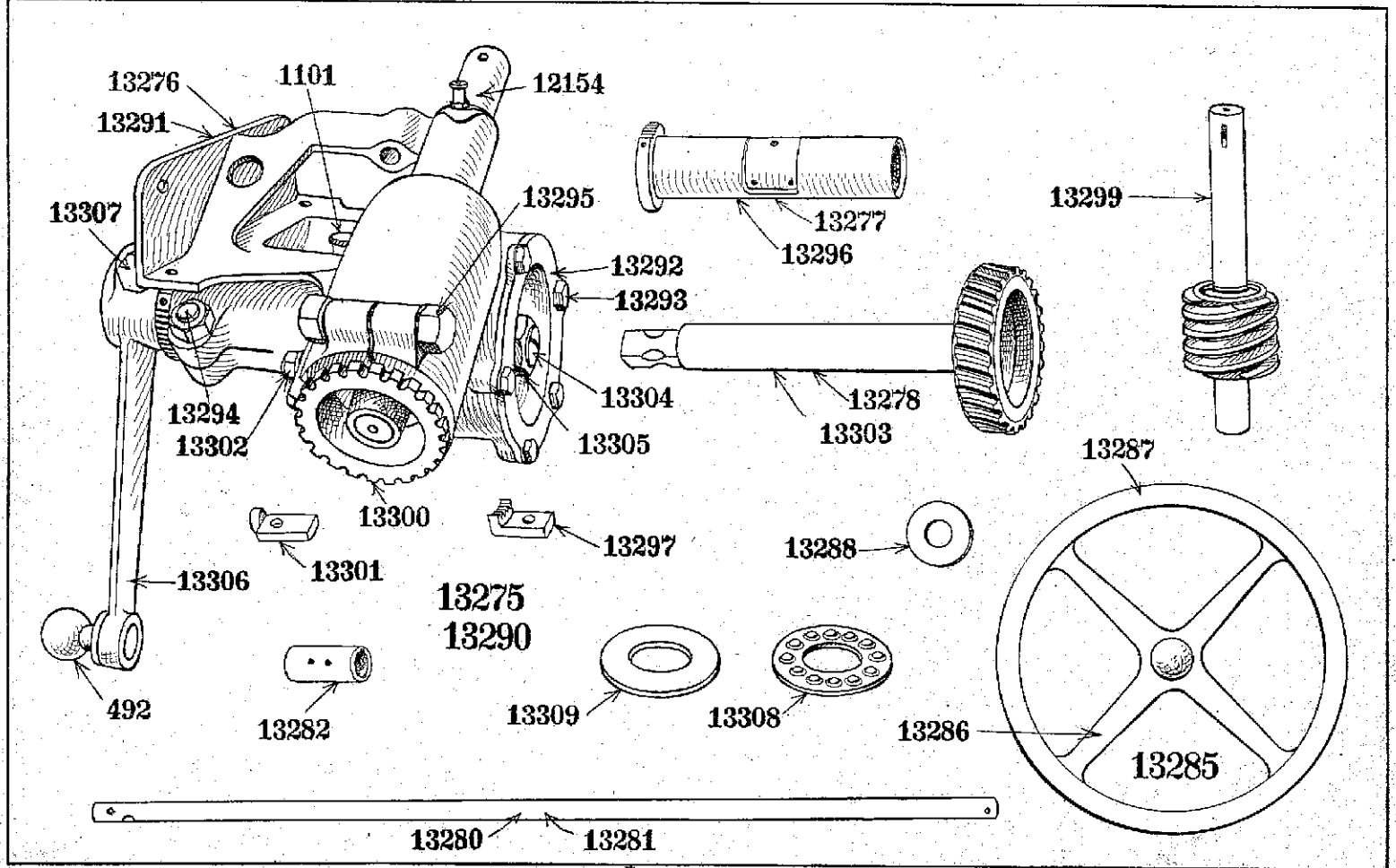


30

NOTE.—ABOVE PARTS LISTED ON PAGES 31 AND 32



34

NOTE.—ABOVE PARTS LISTED ON PAGES 33 AND 35