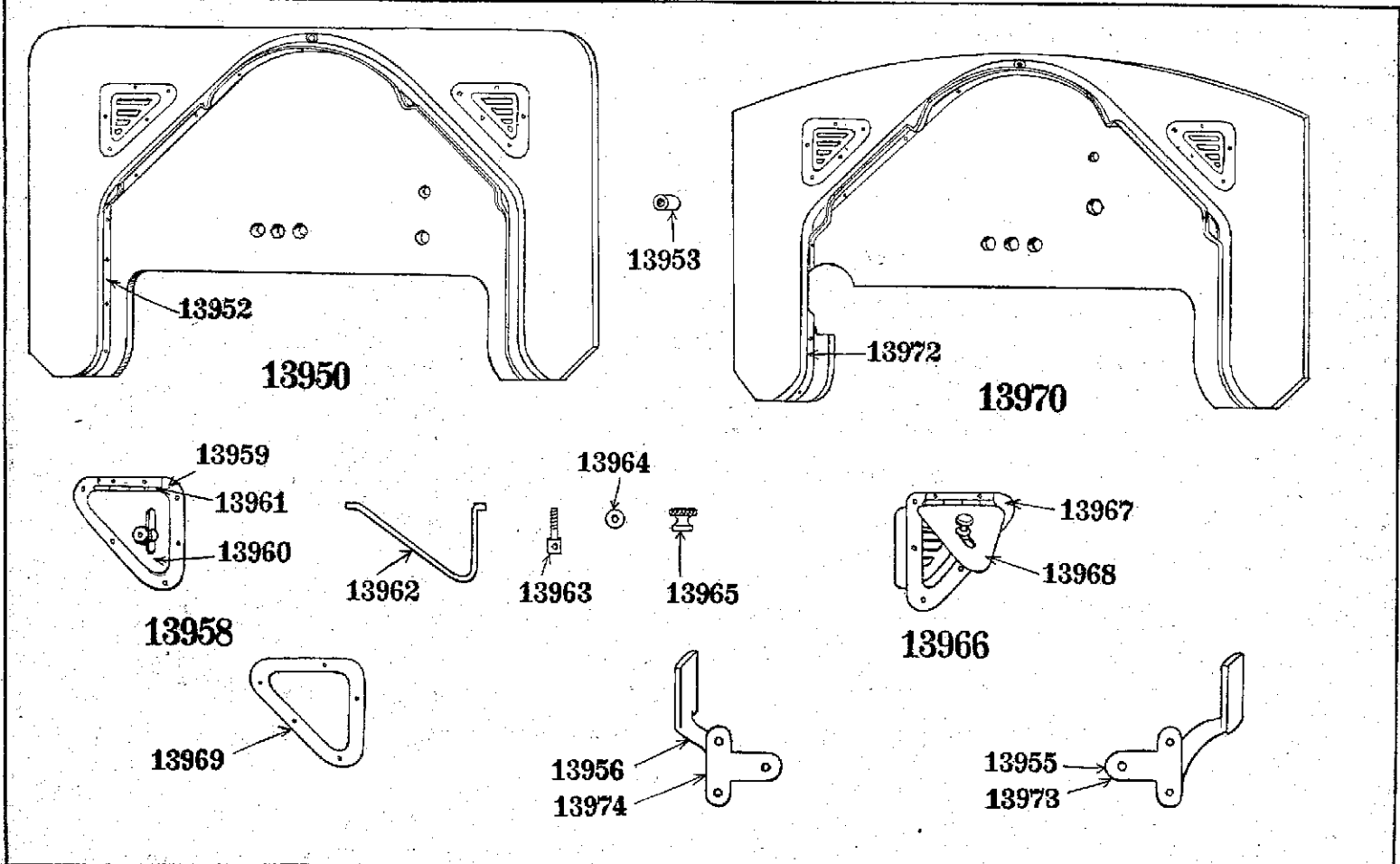


82

NOTE.—ABOVE PARTS LISTED ON OPPOSITE PAGE



84

NOTE.—ABOVE PARTS LISTED ON OPPOSITE PAGE